



TAES 1Vpp Encoder Splitter

TAES accepts a 1Vpp encoder signal and puts it out to two servo drives. The 5V power supply from the servo drive attached to X2 is used to power the circuit.

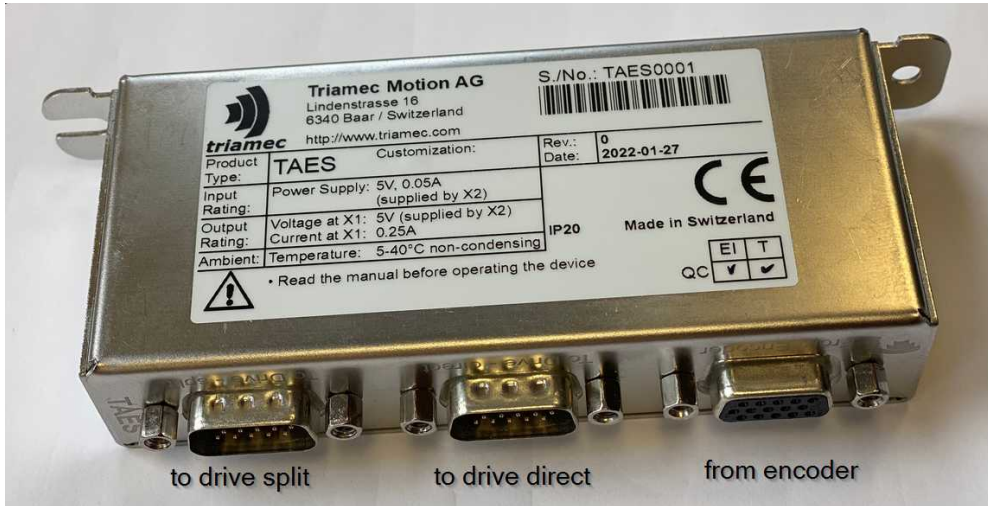


Figure 1: Image of the TAES encoder splitter with information tag.

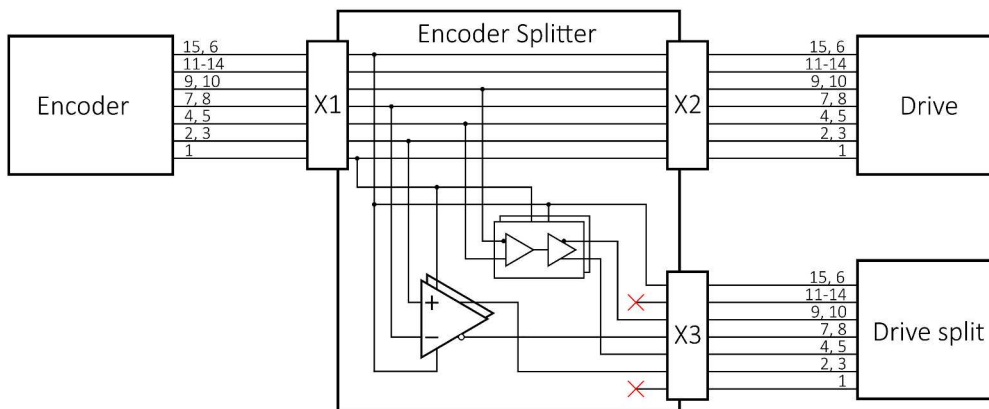


Figure 2: Schematic of the wiring inside the TAES encoder splitter.

Specifications

TAES	
Delay Drive split	10ns
Operating Condition	0°C to +45°C (non condensing)
Dimensions	136 x 55 x 24 mm ³

Subject to change without notice.

**Datasheet
TAD6**

***Redefining
Motion
Control***



Triamec Motion AG
Lindenstrasse 16
CH-6340 Baar
Switzerland

Tel. +41-41-747 4040
info@triamec.com
www.triamec.com